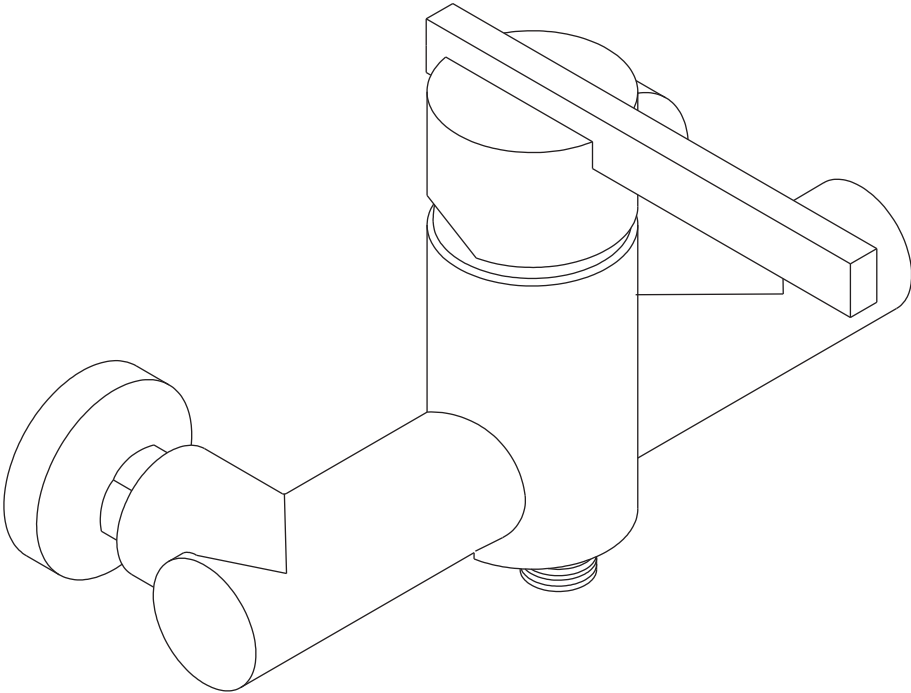


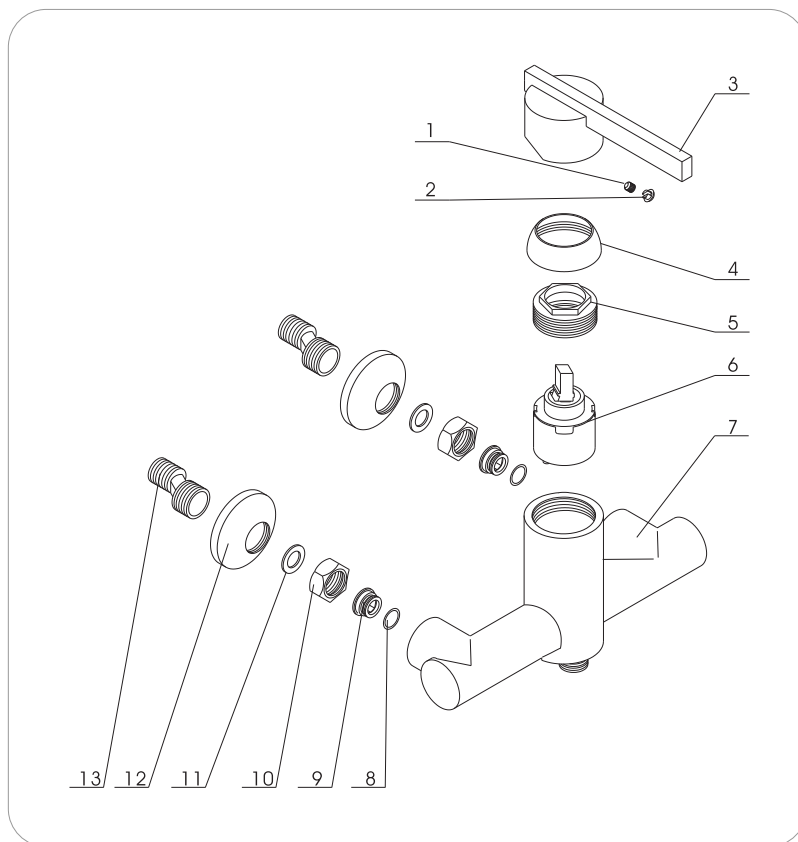
OLTENS



Shower mixer tap - fitting guide

Check the parts needed for the installation against the list

No.	Description	Quantity
1	Set of screws	1
2	Screw cap	1
3	Lever	1
4	Cover	1
5	Bonnet nut	1
6	Ceramic cartridge	1
7	Tap body	1
8	Seal	2
9	Screws	2
10	Nuts	2
11	Seal	2
12	Rosette	2
13	Offset connector	2



Note!

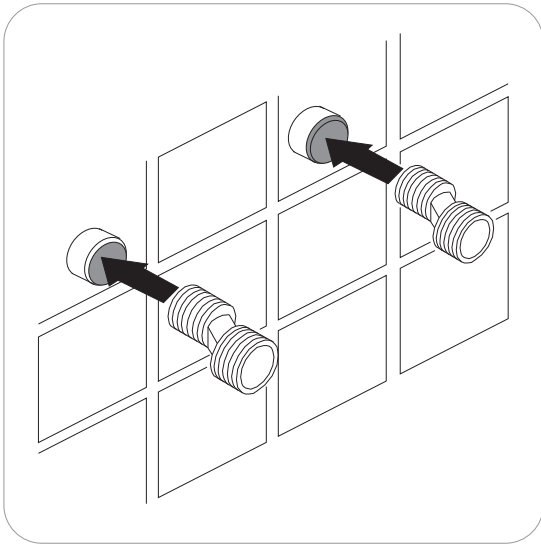
Accessories may change without affecting their function. The presented manufacturing drawings are for illustration purpose only. The size and shape of the tap depends on the selected tap model.

Installation procedure

Do not disassemble the body of the tap, as it had been assembled, installed and checked before it was released by the manufacturer.

To avoid damaging the tap, prior to installation the piping system should be flushed to remove any debris, such as sand, limescale and sludge.

After the installation, please ensure that all connections are tight and there are no leaks.



1. 1. Screw in offset connectors (13) to water feed sections ending with female thread G1/2, sealing the connection with an appropriate amount of teflon tape or thread.

After the installation, the axes of openings in the offset connectors (from the tap side) must be at the same height, their face surfaces at the same distance from the wall, and the spacing of the openings equal to the distance between axes of connection nuts of the tap body.

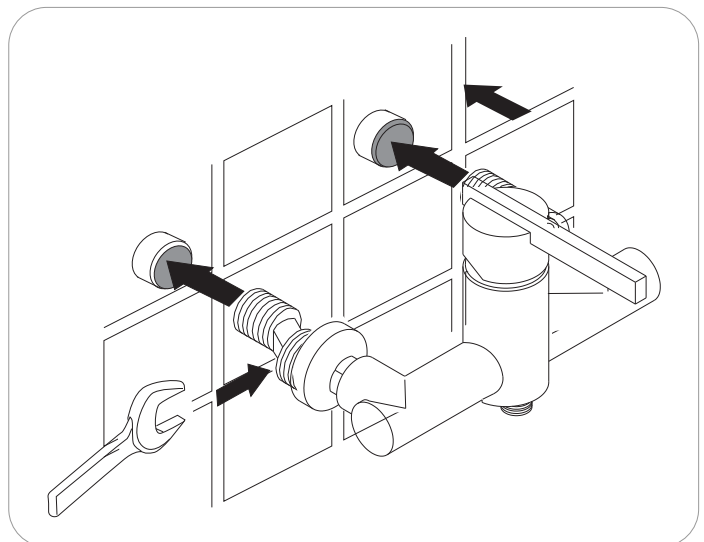
Water feed connections must be installed so that cold water is fed to the right side of the tap and hot water to the left side (looking from the front of the tap) and so that axes of connections are perpendicular to the wall and in parallel to each other.

2. 2. Screw or put rosettes onto the offset connectors.

Place seals (11) in connection nuts (10) and screw them on the offset connectors of the tap (13).

Next, set them from the bottom of the tap body with two Allen head screws.

After installation, check connections to ensure there are no leaks.



Note! The drawings are for illustration and instruction purpose only. The appearance of the tap may be different from that seen in the drawings.

Technical information

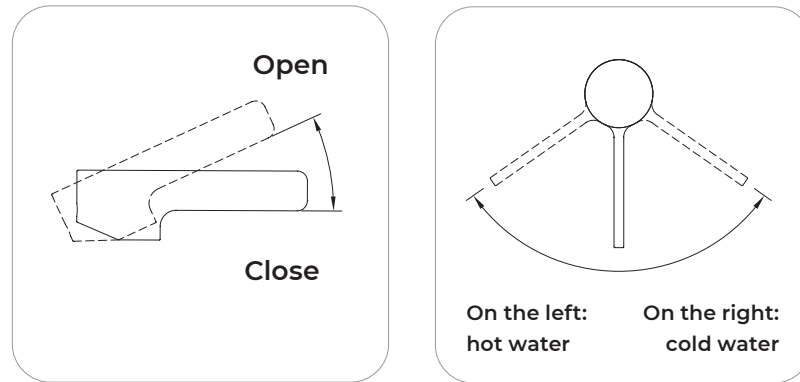
Maximum pressure **1 MPa**

Recommended pressure **0,1 - 0,5 MPa**

Maximum temperature of hot water **90°C**

Recommended temperature of hot water **65°C**

Check whether the installation of hot and cold water was done correctly.



Operation

To start the water flow and fluently adjust its rate, turn the handle vertically upwards. To increase water temperature, turn the handle left, and to reduce – turn the handle right. Positioning the handle on the extreme left results in the flow of hot water only, while placing it on the extreme right – the flow of cold water only.

Care and maintenance

Flush with clean water and wipe with a dry, soft cloth.

For heavier deposits, it is recommended to use special tap cleaning agents, preferably professional Oltens products from the NanoCare and NanoShine series.

Never use agents containing alcohol, disinfectants, solvents and strong bases.

Never clean the surface of the tap with rough cloths or cleaning agents containing abrasive materials and acids..

